



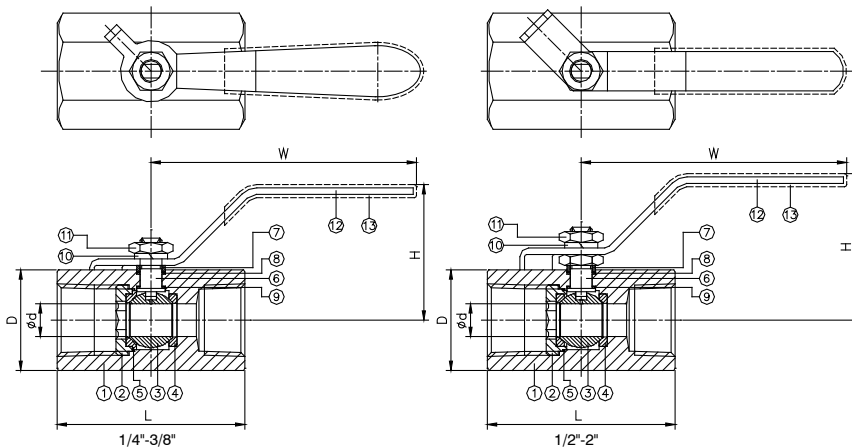
1-PC. SCREWED END BALL VALVE

2017C

FEATURES



- Reduced port, 1/4"~2" (DN8~DN50)
- W.P. : 2000 WOG (PN150)
- W.T. : -20°C~200°C (-4°F~392°F)
- **Forged body**
- Blow-out proof stem
- Anti-static device (option)
- NACE MR0175
- ASME B16.34 Wall thickness
- Thread type : ASME B1.20.1 (NPT)
DIN2999 & BS21
ISO7/1 & EN10226



ITEM	PARTS	MATERIAL
1	BODY	ASTM A105
2	RETAINER	
3	BALL	ASTM A351-CF8
4	SEAT	RTFE / CTFE
5	SEAL	
6	STEM	AISI 304
7	GLAND RING	RTFE / CTFE
8	PACKING	
9	THRUST WASHER	AISI 304
10	SPRING WASHER	
11	NUT	STAINLESS STEEL
12	HANDLE	
13	HANDLE SLEEVE	PVC

DN	d	L	H	W	D
8	5	43.2	27.5	60	21
10	7	47.2	25.5	79	25
15	9	62.5	51.9	118	30
20	12.5	69.9	59.8	118	36
25	15	85.9	67	120	46
32	20	93.7	75.5	146	55
40	25	101.6	78.5	146	61
50	32	114.3	81.5	152	75

unit:mm

NPS	d	L	H	W	D
1/4"	0.2	1.7	1.08	2.36	0.83
3/8"	0.28	1.86	1	3.11	0.98
1/2"	0.35	2.46	2.04	4.65	1.18
3/4"	0.49	2.75	2.35	4.65	1.42
1"	0.59	3.38	2.64	4.72	1.81
1-1/4"	0.79	3.69	2.97	5.75	2.17
1-1/2"	0.98	4	3.09	5.75	2.4
2"	1.26	4.5	3.21	5.98	2.95

unit:in