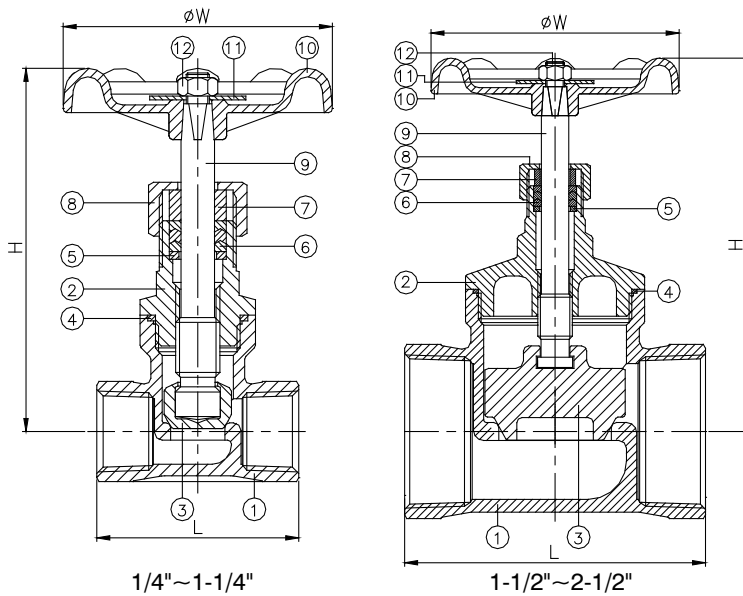


FEATURES



- 1/4"~2-1/2" (DN8~DN65)
- W.P. : 200 WOG
- W.T. : -20°C~200°C (-4°F~392°F)
- Investment casting
- Rising stem
- Thread type : ASME B1.20.1 (NPT)
DIN2999 & BS21
ISO/1 & EN10226



ITEM	PARTS	MATERIAL	
1	BODY		
2	BONNET	ASTM A351-CF8M	ASTM A351-CF8
3	DISC		
4	SEAL	PTFE	
5	WASHER	AISI 304	
6	PACKING	PTFE	
7	GLAND RING	AISI 304	
8	CAP NUT	ASTM A351-CF8M	ASTM A351-CF8
9	STEM	AISI 316	AISI 304
10	HANDLE	ALUMINUM	
11	NAMEPLATE		
12	NUT	AISI 304	

DN	L	H		W	Weight (kg)
		OPEN	CLOSE		
8	52	103	91	70	0.3
10	52	103	91	70	0.3
15	52	103	91	70	0.3
20	66	111	100	80	0.5
25	76	121	104	80	0.7
32	86	156	135	90	1
40	94	147	133	90	1.3
50	118	175	154	100	2.2
65	150	199	171	140	-

unit:mm

NPS	L	H		W	Weight (lb)
		OPEN	CLOSE		
1/4"	2.05	4.06	3.58	2.76	0.7
3/8"	2.05	4.06	3.58	2.76	0.7
1/2"	2.05	4.06	3.58	2.76	0.7
3/4"	2.6	4.37	3.94	3.15	1
1"	2.99	4.76	4.09	3.15	1.4
1-1/4"	3.39	6.14	5.31	3.54	2.1
1-1/2"	3.7	5.79	5.24	3.54	2.8
2"	4.65	6.89	6.06	3.94	4.7
2-1/2"	5.91	7.83	6.73	5.51	-

unit:in