



3-WAY SCREWED END BALL VALVE

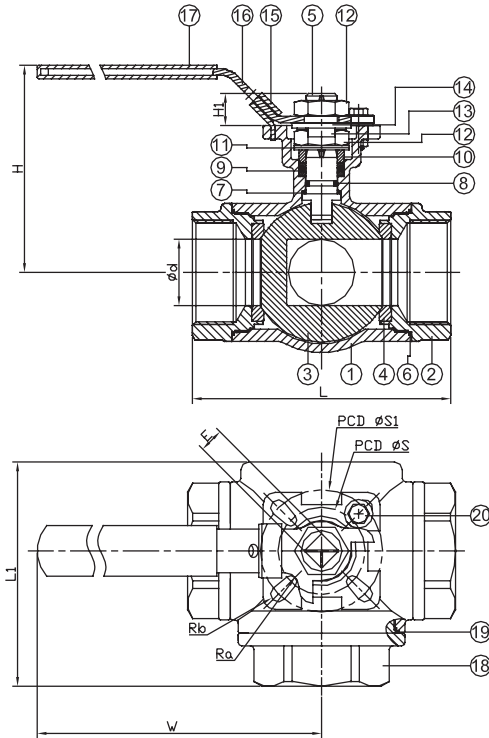
2057D



FEATURES

- **L port / T port**, 1/4"~2" (DN8~DN50)
- W.P. : 1000 WOG (PN63)
- W.T. : -20°C~200°C (-4°F~392°F)
- Investment casting
- Blow-out proof stem
- Locking device
- Anti-static device (option)
- ISO 5211 Direct mounting pad
- **Automation accessories (option)**

- Thread type : ASME B1.20.1 (NPT)
DIN2999 & BS21
ISO7/1 & EN10226



| ITEM | PARTS | MATERIAL |
|------|-------------------|----------------|
| 1 | BODY | ASTM A351-CF8M |
| 2 | CAP-A | |
| 3 | BALL | |
| 4 | SEAT | PTFE |
| 5 | STEM | AISI 316 |
| 6 | SEAL-A | PTFE |
| 7 | THRUST WASHER | PEEK+PTFE |
| 8 | O-RING | VITON |
| 9 | PACKING | PTFE |
| 10 | GLAND | AISI 304 |
| 11 | BELLEVILLE WASHER | |
| 12 | STEM NUT | |
| 13 | LOCKING WASHER | |
| 14 | HANDLE WASHER | |
| 15 | LOCKING DEVICE | |
| 16 | HANDLE | PVC |
| 17 | HANDLE SLEEVE | |
| 18 | CAP-B | ASTM A351-CF8M |
| 19 | SEAL-B | PTFE |
| 20 | STOP PIN | AISI 304 |

| DN | d | L | L1 | H | W | S | S1 | H1 | E | Ra | Rb | Torque (N-M) |
|----|------|-----|------|-----|-----|----|----|----|----|-----|-----|--------------|
| 8 | 11.6 | 76 | 58.5 | 73 | 123 | 36 | 42 | 9 | 9 | 3 | 3 | 10 |
| 10 | 12.5 | 76 | 58.5 | 73 | 123 | 36 | 42 | 9 | 9 | 3 | 3 | 10 |
| 15 | 12.5 | 76 | 58.5 | 73 | 123 | 36 | 42 | 9 | 9 | 3 | 3 | 10 |
| 20 | 16 | 86 | 72 | 76 | 123 | 36 | 42 | 9 | 9 | 3 | 3 | 15 |
| 25 | 20 | 99 | 81.5 | 87 | 153 | 42 | 50 | 11 | 11 | 3 | 3.5 | 22 |
| 32 | 25 | 117 | 94.5 | 93 | 153 | 42 | 50 | 11 | 11 | 3 | 3.5 | 30 |
| 40 | 32 | 124 | 104 | 110 | 183 | 50 | 70 | 14 | 14 | 3.5 | 4.5 | 47 |
| 50 | 38 | 148 | 125 | 119 | 183 | 50 | 70 | 14 | 14 | 3.5 | 4.5 | 58 |

unit:mm

| NPS | d | L | L1 | H | W | S | S1 | H1 | E | Ra | Rb | Torque (in-lb) |
|--------|------|------|------|------|------|------|------|------|------|------|------|----------------|
| 1/4" | 0.46 | 2.99 | 2.3 | 2.87 | 4.84 | 1.42 | 1.65 | 0.35 | 0.35 | 0.12 | 0.12 | 88.5 |
| 3/8" | 0.49 | 2.99 | 2.3 | 2.87 | 4.84 | 1.42 | 1.65 | 0.35 | 0.35 | 0.12 | 0.12 | 88.5 |
| 1/2" | 0.49 | 2.99 | 2.3 | 2.87 | 4.84 | 1.42 | 1.65 | 0.35 | 0.35 | 0.12 | 0.12 | 88.5 |
| 3/4" | 0.63 | 3.39 | 2.83 | 2.99 | 4.84 | 1.42 | 1.65 | 0.35 | 0.35 | 0.12 | 0.12 | 132.8 |
| 1" | 0.79 | 3.9 | 3.21 | 3.43 | 6.02 | 1.65 | 1.97 | 0.43 | 0.43 | 0.12 | 0.14 | 194.7 |
| 1-1/4" | 0.98 | 4.61 | 3.72 | 3.66 | 6.02 | 1.65 | 1.97 | 0.43 | 0.43 | 0.12 | 0.14 | 265.5 |
| 1-1/2" | 1.26 | 4.88 | 4.09 | 4.33 | 7.2 | 1.97 | 2.76 | 0.55 | 0.55 | 0.14 | 0.18 | 416 |
| 2" | 1.5 | 5.83 | 4.92 | 4.69 | 7.2 | 1.97 | 2.76 | 0.55 | 0.55 | 0.14 | 0.18 | 513.3 |

unit:in



8F., No.201, Sec. 2, Tiding Blvd., Neihu District, Taipei City 114, Taiwan R.O.C.
 TEL : +886-2-2658-5800 FAX : +886-2-2658-2266 / 2799-7766

[Http://www.haitima.com.tw](http://www.haitima.com.tw)
 E-mail : haitima@seed.net.tw