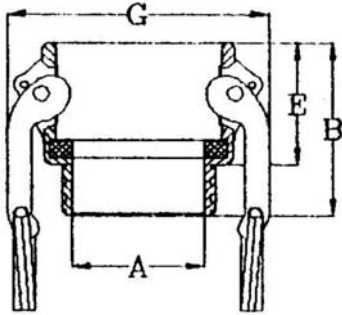


0.1	▽	Ra
0.2	▽▽	JIS
1.6	▽▽▽	
6.3	▽▽▽▽	
25	▽▽▽▽▽	
0.1	~	

0.5~5	±0.1
6~30	±0.2
31~120	±0.3
121~320	±0.5
321~1000	±0.8
GENERAL TOLERANCE	

HAITIMA CORPORATION  
 P.O.BOX 34-36 TAIPEI  
 Tel:+886-2-26585800  
 E-mail:haitima@seed.net.tw  
 TAIWAN R.O.C. www.haitima.com.tw  
 Fax:+886-2-26582266

# PART B



Size	1/2"	3/4"	1"	1-1/4"	1-1/2"	2"	2-1/2"	3"	4"	6"
Size of Thread	1/2"	3/4"	1"	1-1/4"	1-1/2"	2"	2-1/2"	3"	4"	6"
G: Max O.D.	45.7	53.3	60.9	82.6	90.3	99.8	112.4	137.6	165.6	238.3
B: Overall Length	47.3	51	58	65.57	65.7	75.4	83.3	86.5	90.3	105.4
E: Exposed Length	31.4	32	39	44.5	45	50	54.3	55.5	55.5	65.5
A: Min. I.D.	15	19	25	32.6	39	50.8	63	76.2	100.8	153

unit:mm



CHECK BY	DRAWING BY	DATE	SPECIFICATION	Cam & Groove Couplers & Adapters
	<i>Sammy</i>	Apr.21.2014	MATERIAL	SS 316
			PROCESS/Nr.	
			UNIT / SCALE	mm

Revise	Description	Date	Approve
DRAWING NO.		FK-04	
		-14	